

SHICO. SIGNAL EXPLOSION-PROOF HORNS

MODEL : SA-10 EXL series

DESCRIPTION

These SHICO Signal explosion-proof horns are constructed for safety in hazardous environments. They have heavy cast housings which are tapped for 3/4-inch conduit. Federal Signal model SA-10 Series is corrosion resistant vibrating horn with stainless steel diaphragms.

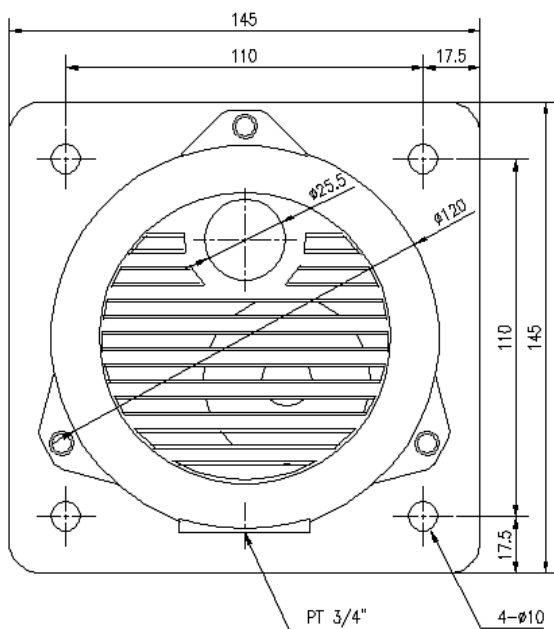
APPLICATIONS

These vibrating and resonating explosion-proof horns are designed for locations such as refineries, laboratories, mines, or grain elevators where the danger of explosion or fire exists.

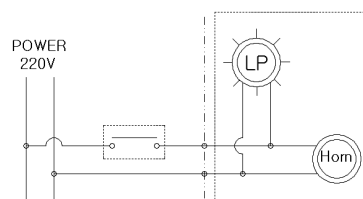
SPECIFICATION

| | |
|---------------|------------------------------------------------------|
| VOLTAGE | 12/24V, 110/220V |
| CURRENT | 0.2A |
| Ass'y | Lamp (Stove type 12/24VDC or 110/220VAC) |
| DECIBELS | 100dB / 100Feet |
| CLASS | NEMA 9F (Korea Industrial Safety Research Institute) |
| PROTECTION | IP65 |
| MOUNTING TYPE | RACK |

DIMENSION



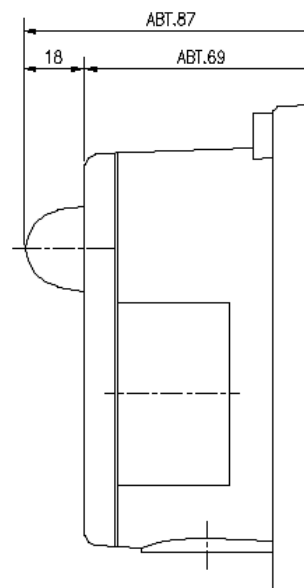
BLOCK WIRING DIAGRAM



FEATURE

SHICO Signal model SA-10 is corrosion resistant vibrating horns with stainless steel diaphragms. The model SA-10 is available in 120VAC has an internal volume control.

* Designed for use in explosion-proof atmospheres



SAM HOI INDUSTRIAL CO., LTD.

Gimhae-city Juchon Myun, Golden root-Ro, 66-BunGil, 48-2
Tel. + 82-55-321-0578~9 Fax. + 82-55-321-0573
E-mail: shico007@chol.com Homepage : www.shico.co.kr

K-7

SHICO. VIBRATION HORNS

MODEL : SA-10 Series

DESCRIPTION

Model SA-10 AC current horn produce sound by electro-mechanical vibration of a diaphragm. The horn mechanism with diaphragm is attached to the grille. Interior or exterior use depends on the back box used. Both may be fitted with a single projector (model PR) or double projector (model PR2).

APPLICATION

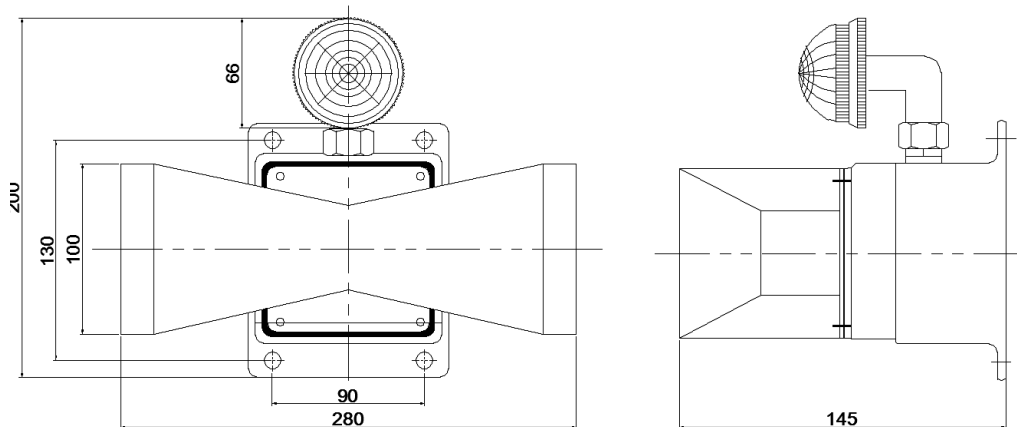
Capable of producing coded blasts or sustained tones, SHICO's Vibration horn are excellent for general alarm, start/dismissal, coded paging and process control signalling in areas where their sound output exceeds ambient noise levels.

Compact size and various installation options make them ideal for institutional use.

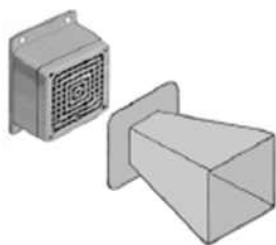
SPECIFICATION

| | |
|-----------------|---------------|
| Operating Temp | -65 to 150 °F |
| Net weight | 1.4lbs |
| Shipping weight | 1.5lbs |
| Height | 150mm |
| Width | 120mm |
| Depth | 95mm |

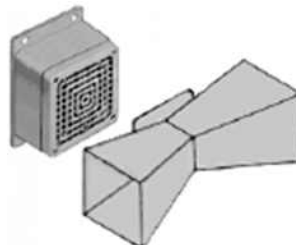
DIMENSION



APPLICATION WITH ACCESSORIES



With protector (PR)



With Double protector (PR2)



With Stove Lamp



FEATURE

The model SA-10 is available in 12,24,120 or 240AC voltages for 50/60 hertz. Its sound output level is 100dB nominal at ten feet (12VAC is 94dB at ten feet). The SHICO horn accommodates surface, flush or semi-flush mounting on walls, panels, in cabinets. A provision conduit when used with various accessories. For NEMA type 4 applications, and optional gasket kit is available for surface or flush panel mounting. The SA-10 model is made of die-cast zinc with gray enamel finish. The model SA-10 has a stainless steel diaphragm.



SAM HOI INDUSTRIAL CO., LTD.

Gimhae-city Juchon Myun, Golden root-Ro, 66-BunGil, 48-2

Tel. +82-55-321-0578~9 Fax. +82-55-321-0573

E-mail: shico007@chol.com Homepage : www.shico.co.kr

K-8